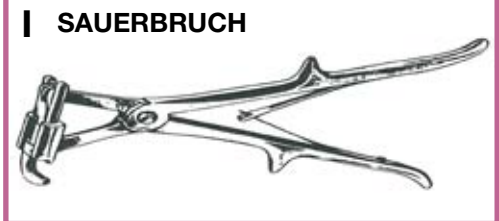
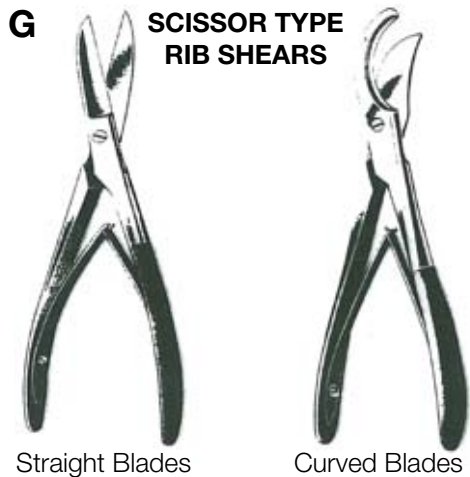


RIB SHEARS Contd

**G** Scissor Type Rib Shears

M138-460 length 23cm
straight blades

M138-465 length 22cm
curved blades

H Stille Rib Shears

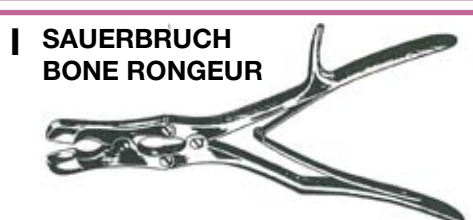
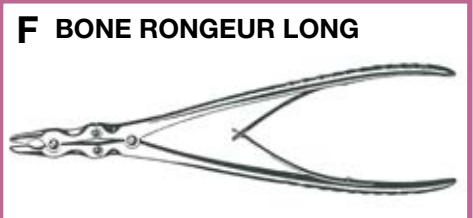
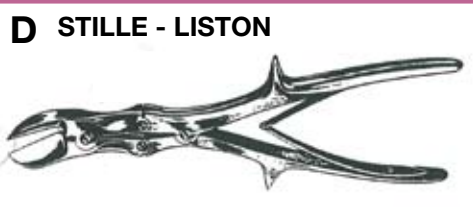
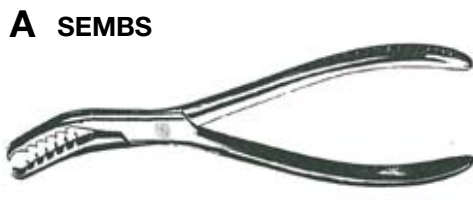
M138-575 length 21cm

I Sauerbruch Rib Shears

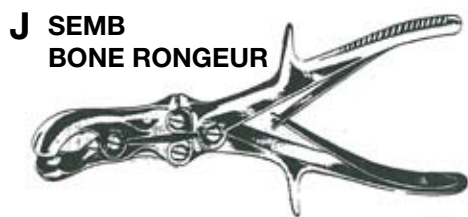
M138-510 length 24cm
child size

M138-512 length 27cm
adult size

BONE INSTRUMENTS

**A** Sembs - Bone Holder
T014-300 length 19cm**B** Liston Bone Cutter Straight
T010-015 length 15cm
T010-018 length 18cm
T010-020 length 20cm
T010-022 length 22cm**C** Ruskin - Liston Bone Cutter 18.5cm
T010-100 straight
T010-105 angled**D** Stille - Liston Bone Cutter 27cm
T010-115 straight
T010-120 angled
T010-125 right angle**E** Luer Jansen Bone Rongeur
N076-378 length 19cm**F** Bone Rongeur Long Length 34cm
M076-110 straight**G** Bone Rongeur Long Length 34cm
M076-115 curved to side**H** Leksell Bone Rongeur
N076-322 curved to side,
6mm bite, 23cm**I** Sauerbruch Bone Rongeur 30cm
T012-815 round cutting jaw
T012-820 square cutting jaw

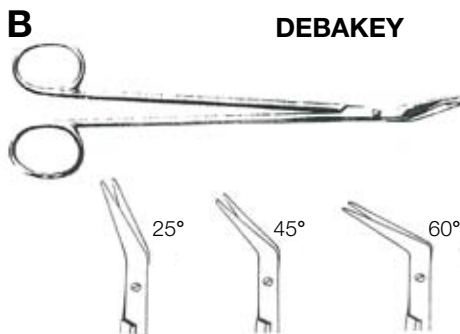
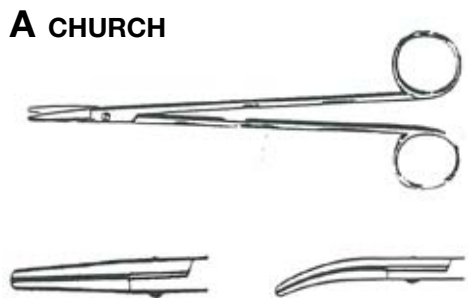
BONE INSTRUMENTS Contd



J Semb Bone Rongeur
T012-825 length 23cm

K Stille Luer Bone Rongeur 22cm
T012-835 straight
T012-840 curved

SCISSORS - VASCULAR



A Church Vascular Scissor
M140-360 straight 17cm
M140-365 curved 17cm

B Debakey Scissor Angled Blades
G140-091 angle 25°, 16cm
G140-094 angle 45°, 16cm
G140-097 angle 60°, 16cm
G140-092 angle 25°, 23cm
G140-095 angle 45°, 23cm
G140-098 angle 60°, 23cm
G140-093 angle 25°, 28cm
G140-096 angle 45°, 28cm
G140-099 angle 60°, 28cm

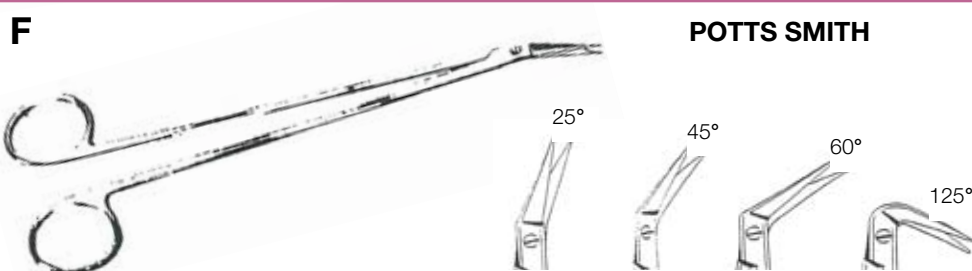


C Debakey Scissor 15cm
M140-110 double curve, 20° angle jaw
M140-112 double curve, 45° angle jaw

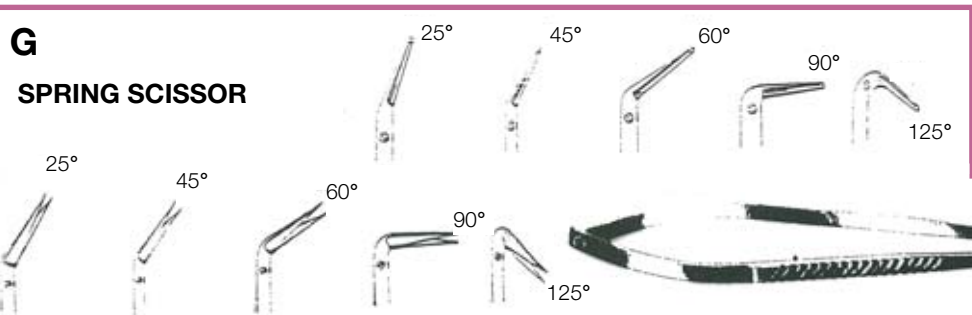


D Favaloro Scissor
M140-175 curved shank, blades A.T.S, 15cm

E Satinsky Scissor
M140-212 24.5cm



F Potts Smith Scissor Angled blades, 19cm
G140-725 25°
G140-745 45°
G140-760 60°
G140-765 125°



G Spring Scissor 18cm blunt

M140-901 angle 25°
M140-902 angle 45°
M140-903 angle 60°
M140-904 angle 90°
M140-905 angle 125°

18cm sharp
M140-911 angle 25°
M140-912 angle 45°
M140-913 angle 60°
M140-914 angle 90°
M140-915 angle 125°