

## Aural Speculum

AURAL SPECULUM



Peter's (Siegle)  
Aural Speculum Set

**Peters (Siegle) Pneumatic Speculum Set**  
Complete with Plain Glass, 5 Speculum, Rubber Tube & Bulb, Black Finish

- Code **E034-050** - Complete Set
- Code **E034-051S** - Peters Speculum Only , Black Finish, No 0, 6mm
- Code **E034-052S** - No 1, 7mm
- Code **E034-053S** - No 2, 8mm
- Code **E034-054S** - No 3, 9mm
- Code **E034-055S** - No 4, 10mm
- Code **E034-056** - Peters Speculum Set, Plain lens only
- Code **E034-057** - Peters Speculum Set, Main body only
- Code **E034-058** - Peters Speculum Set, Bellows Tube & Bulb only



Shea Aural Speculum



Gruber Aural Speculum



Tumarkin Aural Speculum

**Shea Speculum**  
Oblique End, Black Finish

- Code **E034-245** - No 1
- Code **E034-255** - No 2
- Code **E034-275** - No 3
- Code **E034-285** - No 4
- Code **E034-295** - No 5
- Code **E034-205** - Set of 5, Nos 1-5

**Gruber Speculum**  
Round End, Black Finish

- Code **E034-013** - No 1, 3mm
- Code **E034-014** - No 2, 4mm
- Code **E034-015** - No 3, 5mm
- Code **E034-017** - No 4, 7mm
- Code **E034-010** - Set of 4

**Tumarkin Transmeatal Speculum**  
Black Finish, Round, SLOTTED

- Code **E034-345S** - No 0, 4.5mm
- Code **E034-355S** - No 0.5, 5.5mm
- Code **E034-365S** - No 1, 6.5mm
- Code **E034-370S** - No 2, 7mm
- Code **E034-375S** - No 3, 7.5mm
- Code **E034-380S** - No 4, 8mm
- Code **E034-385S** - No 5, 8.5mm
- Code **E034-390S** - No 6, 9mm
- Code **E034-391S** - No 7, 11mm
- Code **E034-310S** - Set of 9, Nos 0-7

**Hartman Speculum**  
Round End, Stainless Steel

- Code **E034-612** - No 1, 2mm inner diameter
- Code **E034-613** - No 2, 3mm
- Code **E034-614** - No 3, 4mm
- Code **E034-615** - No 4, 5.5mm
- Code **E034-616** - No 5, 6.5mm
- Code **E034-617** - No 6, 7.5mm
- Code **E034-604** - Set of 4



Hartman Aural Speculum  
Round, Black or Satin Finish

**Hartman Speculum**  
Round End, Black Finish

- Code **E034-633** - No 1, 3mm inner diameter
- Code **E034-634** - No 2, 4mm
- Code **E034-635** - No 3, 5mm
- Code **E034-637** - No 4, 7mm
- Code **E034-639** - No 5, 7.5mm
- Code **E034-640** - No 6, 9mm
- Code **E034-631** - Set of 6

**Rosen Speculum, HALF-SLOTTED,**  
Round End, Black Finish

- E034-083** - No 1, 3mm inner diameter
- E034-084** - No 2, 4mm
- E034-085** - No 3, 5mm
- E034-086** - No 4, 6mm
- E034-087** - No 5, 7mm
- E034-081** - Set of 5



Rosen Aural Speculum  
Unslotted or Slotted

**Rosen Speculum, UN-SLOTTED**  
Round End, Black Finish

- Code **E034-073** - No 1, 3mm inner diameter
- Code **E034-074** - No 2, 4mm
- Code **E034-075** - No 3, 5mm
- Code **E034-076** - No 4, 6mm
- Code **E034-077** - No 5, 7mm
- Code **E034-070** - Set of 5

## Nasal Speculum

## Instrument Trays

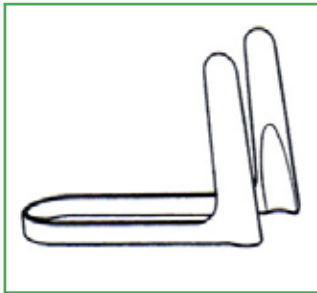
NASAL SPECULUM



Thudicum Nasal Speculum

### Thudicum Nasal Speculum

- Code **E182-501S** - No 1, 12mm blade
- Code **E182-502S** - No 2, 14mm blade
- Code **E182-503S** - No 3, 16mm blade
- Code **E182-504S** - No 4, 18mm blade
- Code **E182-505S** - No 5, 20mm blade
- Code **E182-506S** - No 6, 22mm blade
- Code **E182-507S** - No 7, 24mm blade
- Code **E182-500S** - Set of 7



St Clair Thomson Nasal Speculum

### St Clair Thomson Nasal Speculum

- Code **E182-438** - 38mm blade
- Code **E182-451** - 51mm blade
- Code **E182-464** - 64mm blade
- Code **E182-476** - 76mm blade
- Code **E182-400** - Set of 4



Killian Nasal Speculum

### Killian Nasal Speculum

- Code **E182-150** - 5.0cm blade
- Code **E182-165** - 6.5cm blade
- Code **E182-175** - 7.5cm blade
- Code **E182-190** - 9.0cm blade
- Code **E182-100** - Set of 4



Cottle Nasal Speculum

### Cottle Nasal Speculum Black Finish

- Code **E182-010** - No 1, 20mm Blade
- Code **E182-015** - No 2, 32mm blade
- Code **E182-020** - No 3, 41mm blade
- Code **E182-025** - No 4, 60mm blade
- Code **E182-050** - Set of 4



Lempert Nasal Speculum

### Lempert Endural Speculum

- Code **E182-293** - Small, 13.5cm
- Code **E182-295** - Medium, 13.5cm
- Code **E182-299** - Large, 13.5cm

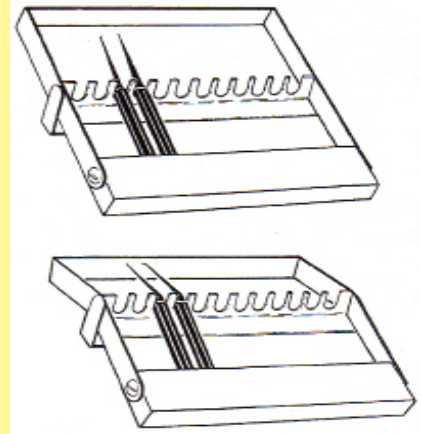
### Shah Nasal Speculum

- Code **E182-305** - Shah Speculum, LEFT
- Code **E182-310** - Shah Speculum, RIGHT



Shah Nasal Speculum

INSTRUMENT TRAYS



### Instrument Trays

- Code **E110-105** to hold 8 straight instruments
- Code **E110-110** to hold 10 straight instruments
- Code **E110-115** to hold 12 straight instruments

- Code **E110-120** to hold 8 angled instruments
- Code **E110-125** to hold 10 angled instruments
- Code **E110-130** to hold 12 angled instruments