



**INSTRUMENTATION**



**MACHS**



**CUDA®  
FIBREOPTICS**



**ELECTROSURGERY**

### DIATHERMY QUIVERS

#### The Judd Medical range of Diathermy Quivers

Our updated range of Diathermy Quivers is manufactured in the UK and conforms to the BS EN ISO 9002 Standards, specifically EN46002.

All products bear the CE Mark, meeting the criteria of MDD 93/42/EEC for Class 1, Class 11a and Class 11b instruments.

**MANUFACTURED** in the UK and carry the CE mark

Manufactured from **ROBUST** long lasting material

Assurance of **CLEANLINESS**

**DISCOUNTS** available for quantity purchases

**COMPETITIVELY PRICED**

**EXCELLENT VALUE FOR MONEY**

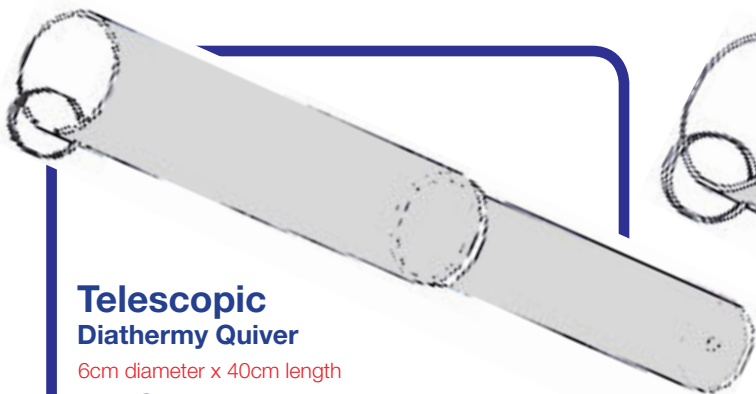
#### Screw Bottom Diathermy Quiver

Code **G022-970** 5cm dia x 20cm Length

Code **G022-975** 6cm dia x 23cm Length

Code **G022-985** 6cm dia x 37.5cm Length

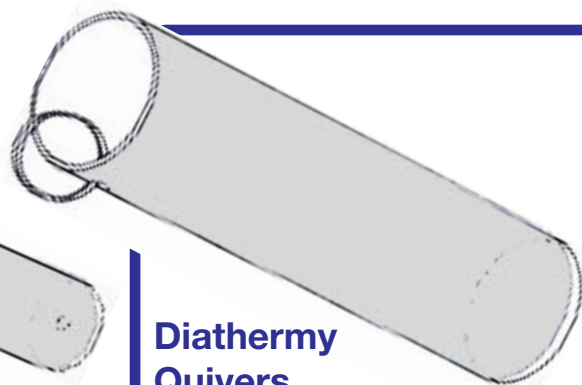
Black base for **EASE OF IDENTIFICATION**  
Simply unscrew the end for **ACCESSIBILITY**



#### Telescopic Diathermy Quiver

6cm diameter x 40cm length

Code **G022-920**



#### Diathermy Quivers

4cm diameter  
x 23cm length

Code **G022-905**

6cm diameter  
x 23cm length

Code **G022-910**

4cm diameter  
x 23cm length  
with drainage holes

Code **G022-915**

6cm diameter  
x 37.5cm length

Code **G022-950**

Latest **SPECIAL OFFERS**

[www.judd-medical.co.uk](http://www.judd-medical.co.uk)

## DIGITAL ELECTRIC SCALES

### AU-6501

3Kg Max weight in  
1g increments



### AU-6502

15Kg Max weight in  
2g increments

## REUSABLE & DISPOSABLE THEATRE STRAPS

### Arm Board Strap

Code **30210** 1.5" x 32"

### Knee Board Strap

Code **30220** 3" x 60"



## GEL POSITIONING PADS

Adult Horseshoe  
**41806**

Soft, Durable & Comfortable  
Protects Sensitive Skin Tissue from Pressure Sores  
Re-usable - can be cleaned by standard  
operating room disinfectant  
Wide Range of shapes & sizes  
Effective for maintaining patients position

Contact our Customer Service Team for  
further details Tel +44(0)1527 559010



## CLIPS

### Sling Clips

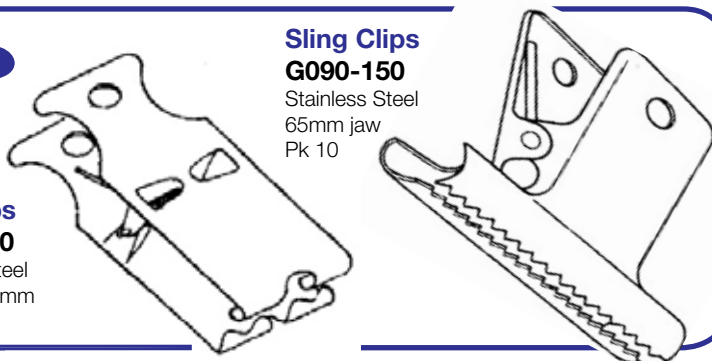
**G090-150**

Stainless Steel  
65mm jaw  
Pk 10

### Bag Clips

**G090-100**

Stainless Steel  
25mm x 50mm  
Pk 10



## ANTI-FOG SOLUTION

Code **30900**  
Box 20



- Specially formulated solution will not damage the scope
- No needles, syringes or vials needed
- Latex Free
- Adhesive backed for universal placement
- Non alcohol based
- Non abrasive foam
- X-ray detectable

## PROTECTIVE WEAR & FOOTWEAR



Ladies Flexi Clog with elasticated heel strap,  
patterned, Pink, Blue or Red

### AU-2106

Patterns may vary

### AU-2101

Half Wellington Boot, White  
Sizes 3-13 available

### AU-2102

Full Wellington Boot, White  
Sizes 3-13 available



Full range of  
**Protective Wear & Footwear** available.  
Contact our

### Customer Service Team

for further details Tel: +44(0)1527 559010

## MULTIPLE APPLICATION CLIP HOLDER



### MAIN FEATURES

- Fully adjustable
- Non-invasive - reduces use of towel clips, clamps, safety pins, eliminating the potential damage to drapes and linen
- Colour coded for ease of identification
- Quick to apply, easily removable
- Reusable
- Fully autoclavable/fully washable

### IDEAL FOR

- **Fibre Optic Cables**
- **ECG Leads**
- **Drainage Bottles**
- **Syringe Drivers**
- **Diathermy Quivers**
- **Camera Leads**
- **Anaesthetic Tubing**
- **Catheter Bags**
- **Suction Tubing**

**TROUSSEAU TRACHEA DILATING FORCEP**



**E056-210** Adult, 14.0cm  
**E056-205** Child, 10.5cm

**TUNGSTEN CARBIDE INSTRUMENTATION**

**G141-562**  
Metzenbaum Dissecting Scissor  
t/c blade, standard blade, bl/bl curved, 14.5cm



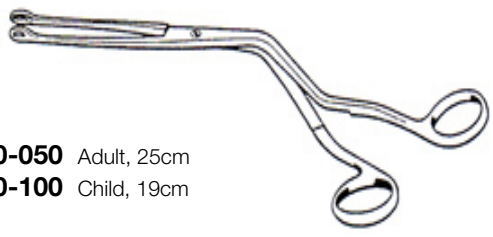
**G125-156**  
Mayo Hegar Needle Holder,  
25cm



**G063-180**  
Debakey Dissecting Forcep  
1.5mm tip, 16cm



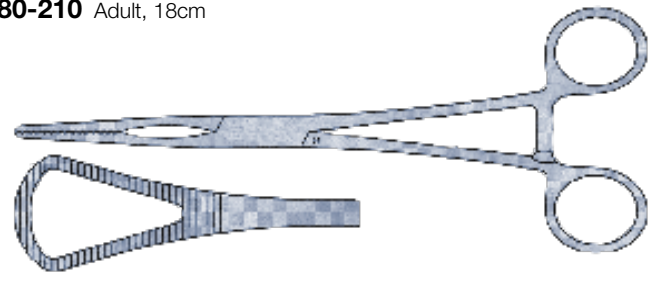
**MAGILL INTRODUCING FORCEP**



**A090-050** Adult, 25cm  
**A090-100** Child, 19cm

**GUYS TONGUE HOLDING FORCEPS**

**E080-205** Child, 12.5cm  
**E080-210** Adult, 18cm



**LISTER BANDAGE SCISSORS**

**JMS/LB4/Pk5**  
18 cm Only



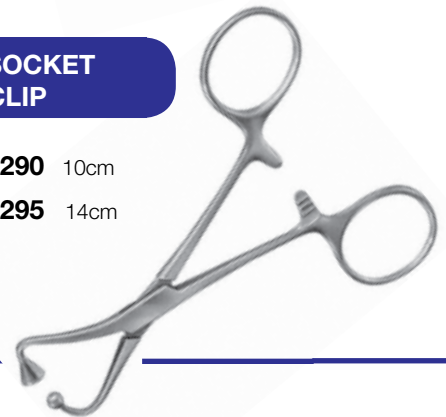
**MAYO NEEDLE HOLDER**



**G124-148**  
Straight, 18cm

**BALL & SOCKET TOWEL CLIP**

**G090-290** 10cm  
**G090-295** 14cm



**RAMPLEY SPONGE HOLDING FORCEP**



**G084-224**  
Straight, 24cm

**RING CUTTER**

**G018-105** 16.5cm  
**G018-110** Spare blade

