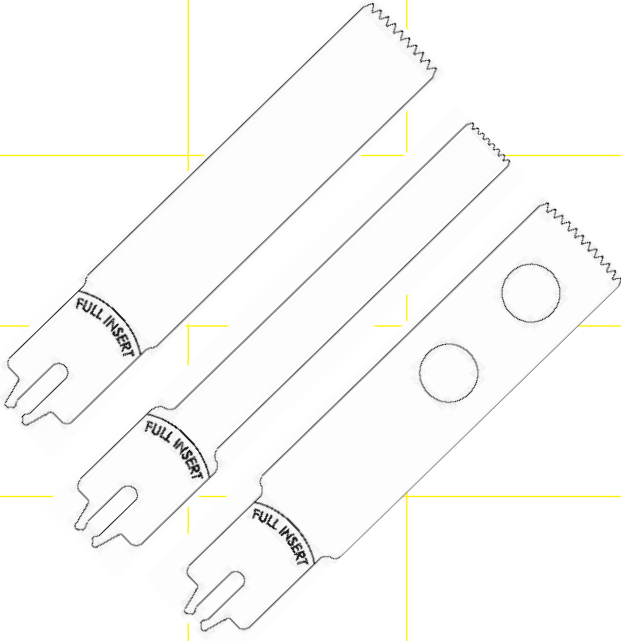

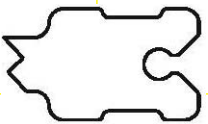
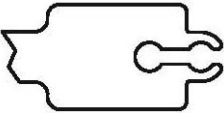


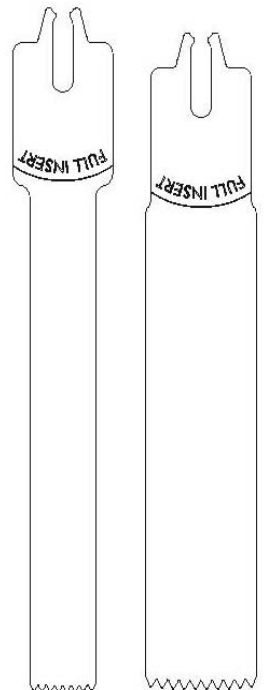
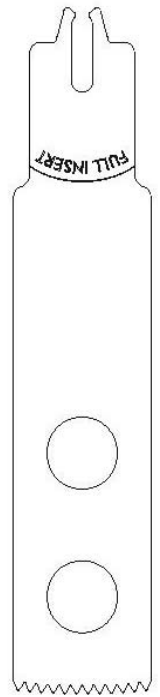
Stryker® System 6 Replacement Blades

Launching the Series ST2108 & ST4000
Replacement Blade & Replacement Dual Cut Blades
for **Stryker® System 6 Sagittal Saw**

Judd Medical Limited is proud to introduce our NEW ST2108 Replacement Surgical Blades for the Stryker® System 6 Sagittal Saw. The ST2108 & ST4000 Series Blades are designed and manufactured to the strictest specifications giving you optimum cutting performance while meeting the increasing demands of the Operating Theatre.

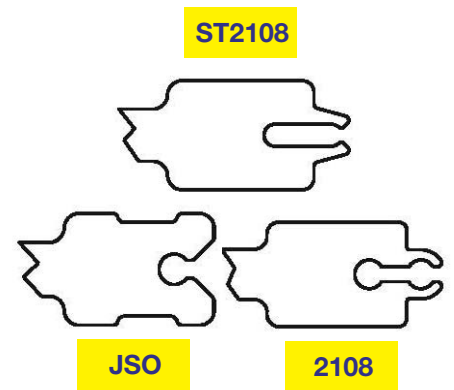
	
	<p>ST2108 - Judd Prefix for Stryker® System 6</p> 
	<p>JSO - Judd Prefix for Stryker® Systems 2000, 4 & 5</p> 
	<p>2108 - Stryker® Prefix for Systems 2000, 4 & 5 & 6</p> 

Illustrations not to scale



Judd Medical Prefix ST2108 is only compatible with the Series 6 Drill System

Series **ST2108** Replacement Blades
Optimum Cutting Performance



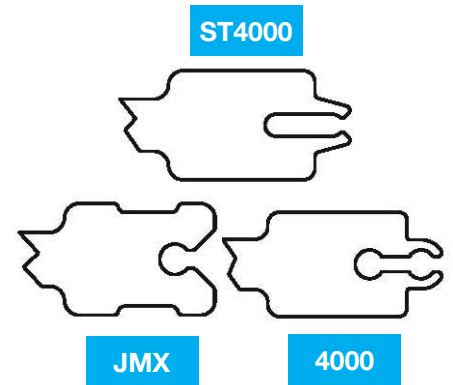
STRYKER® Reference	JUDD Ref SERIES 6	JUDD Ref SERIES 4 & 5	BLADE DIMENSIONS
2108-100	ST2108-100	JSO-600	73.0mm x 25.0mm x 0.64mm
2108-102	ST2108-102	JSO-602	89.5mm x 25.0mm x 0.89mm
2108-105	ST2108-105	JSO-605	73.0mm x 25.0mm x 0.89mm
2108-109	ST2108-109	JSO-609	84.5mm x 21.0mm x 0.89mm
2108-110	ST2108-110	JSO-610	73.0mm x 25.0mm x 1.24mm
2108-111	ST2108-111	JSO-611	79.5mm x 25.0mm x 1.24mm
2108-115	ST2108-115	JSO-615	73.0mm x 18.5mm x 0.76mm
2108-118	ST2108-118	JSO-618	79.5mm x 25.0mm x 1.24mm
2108-120	ST2108-120	JSO-620	60.5mm x 18.5mm x 0.64mm
2108-125	ST2108-125	JSO-625	47.5mm x 40.5mm x 0.64mm
2108-131	ST2108-131	JSO-631	47.5mm x 17.5mm x 0.64mm
2108-140	ST2108-140	JSO-640	58.0mm x 29.0mm x 0.64mm
2108-145	ST2108-145	JSO-645	24.0mm x 9.0mm x 0.64mm
2108-148	ST2108-148	JSO-648	34.5mm x 9.0mm x 0.64mm
2108-150	ST2108-150	JSO-650	73.0mm x 12.5mm x 0.64mm
2108-151	ST2108-151	JSO-651	85.0mm x 25.0mm x 1.19mm
2108-152	ST2108-152	JSO-652	81.5mm x 12.5mm x 0.19mm
2108-155	ST2108-155	JSO-655	73.0mm x 12.5mm x 1.24mm
2108-156	ST2108-156	JSO-656	79.5mm x 12.5mm x 1.24mm
2108-158	ST2108-158	JSO-658	81.5mm x 12.5mm x 1.27mm
2108-160	ST2108-160	JSO-660	73.0mm x 25.0mm x 0.89mm
2108-175	ST2108-175	JSO-675	60.5mm x 9.5mm x 0.64mm
2108-176	ST2108-176	JSO-676	79.5mm x 25.0mm x 1.5mm
2108-177	ST2108-177	JSO-677	86.5mm x 25.0mm x 1.32mm
2108-182	ST2108-182	JSO-682	83.5mm x 18.5mm x 1.24mm
2108-183	ST2108-183	JSO-683	83.5mm x 29.0mm x 1.24mm
2108-185	ST2108-185	JSO-685	104.0mm x 8.5mm x 1.24mm
2108-189	ST2108-189	JSO-689	81.5mm x 25.0mm x 1.27mm
2108-193	ST2108-193	JSO-693	81.5mm x 25.0mm x 1.04mm
2108-195	ST2108-195	JSO-695	90.0mm x 48.5mm x 0.96mm
2108-197	ST2108-197	JSO-697	61.0mm x 48.5mm x 0.64mm
2108-218	ST2108-218	JSO-619	98.5mm x 25.0mm x 1.24mm

For further details on our range of Replacement Burs & Blades
Contact our **CUSTOMER SERVICE TEAM**
TEL: +44(0)1527 559010

REPLACEMENT BLADES
For **SPECIAL OFFERS**
Please contact our
CUSTOMER SERVICE TEAM


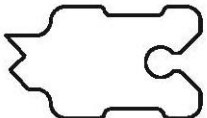
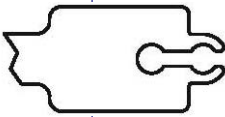
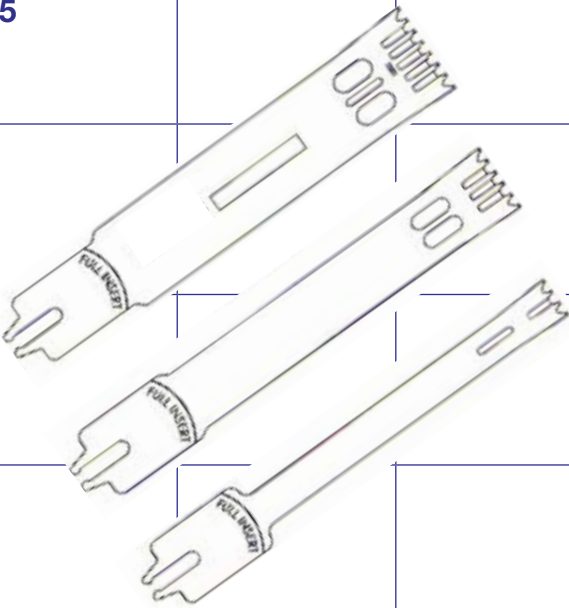
Series **ST4000**

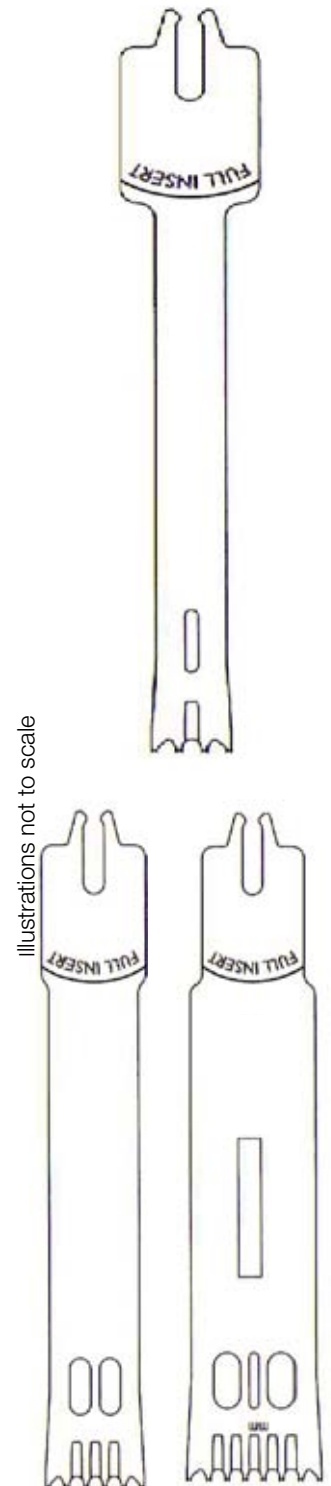
Replacement Dual Cut Blades
for Stryker®
System 6 Sagittal Saw



Judd Medical Limited is proud to introduce our NEW ST4000 Series Dual Cut Replacement Surgical Blades for the Stryker® System 6 Sagittal Saw.

The ST4000 Series Blades are designed and manufactured to the strictest specifications giving you optimum cutting performance while meeting the increasing demands of the Operating Theatre.

<p>ST4000 - Judd Prefix for Stryker® System 6</p>				
<p>JMX - Judd Prefix for Stryker® Systems 2000, 4 & 5</p>				
<p>4000 - Stryker® Prefix for Systems 2000, 4 & 5 & 6</p>				

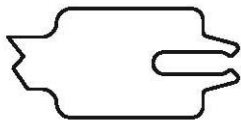


Judd Medical Prefix ST4000 is only compatible with the Series 6 Dual Cut Blades Drill System

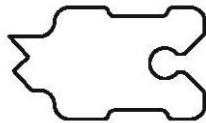
STRYKER® SYSTEM 6 REPLACEMENT DUAL CUT BLADES

Series **ST4000** Replacement Dual Cut Blades

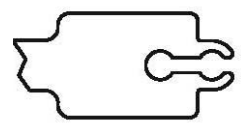
Optimum Cutting Performance



ST4000

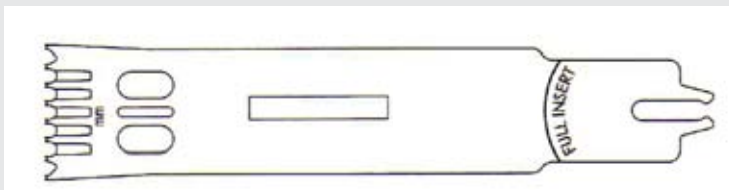
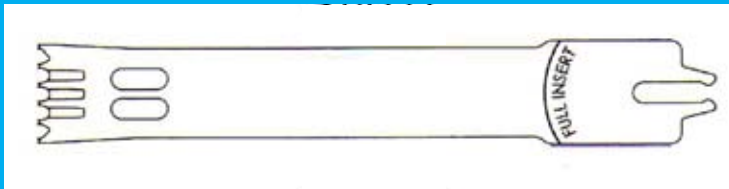


JMX



4000

Illustrations not to scale



REPLACEMENT BLADES
For **SPECIAL OFFERS**
Please contact our
CUSTOMER SERVICE TEAM

STRYKER® Reference	JUDD Ref SERIES 6	JUDD Ref SERIES 4 & 5	BLADE DIMENSIONS
4111-127-090	ST4111-127-090	JMX-802	90.0mm x 11.0mm x 1.27mm
4118-089-090	ST4118-089-090	JMX-810	90.0mm x 18.0mm x 0.89mm
4118-127-090	ST4118-127-090	JMX-811	90.0mm x 18.0mm x 1.27mm
4118-135-090	ST4118-135-090	N/A	90.0mm x 18.0mm x 1.35mm
4118-137-090	ST4118-137-090	N/A	90.0mm x 18.0mm x 1.37mm
4125-089-075	ST4125-089-075	JMX-822	75.0mm x 25.0mm x 0.89mm
4125-127-090	ST4125-127-090	JMX-823	90.0mm x 25.0mm x 1.27mm
4125-127-100	ST4125-127-100	JMX-821	100.0mm x 25.0mm x 1.27mm
4125-135-090	ST4125-135-090	JMX-824	90.0mm x 25.0mm x 1.35mm

For further details on our range of Replacement Burs & Blades
Contact our **CUSTOMER SERVICE TEAM** TEL: **+44(0)1527 559010**