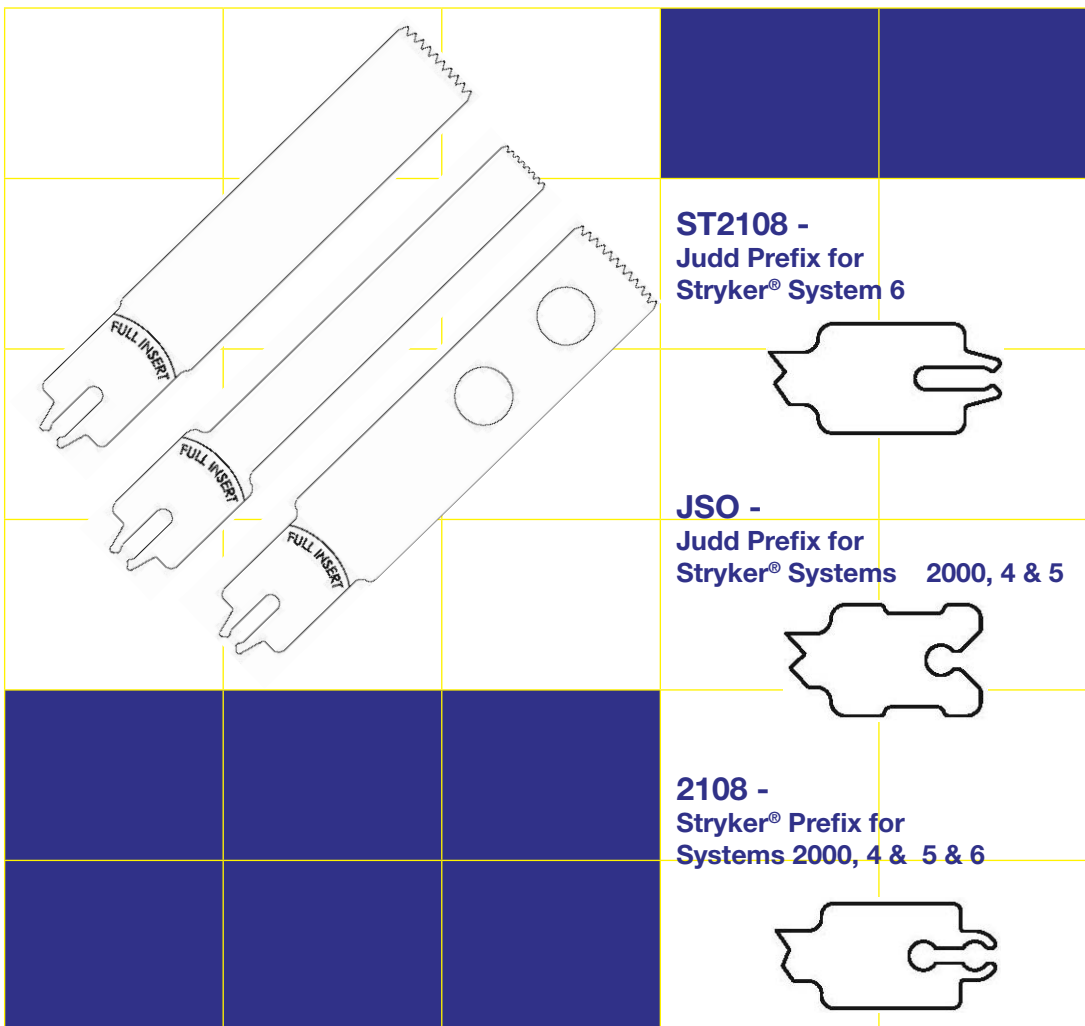


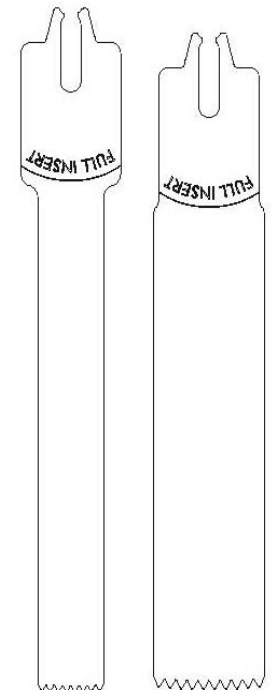
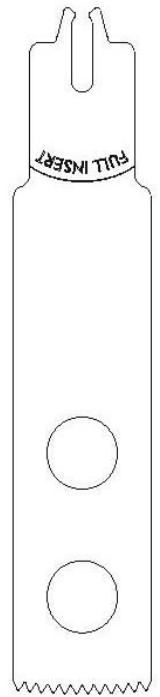
# Stryker® System 6 Replacement Blades

**Launching the Series ST2108 & ST4000**  
Replacement Blade & Replacement Dual Cut Blades  
for **Stryker® System 6 Sagittal Saw**

Judd Medical Limited is proud to introduce our NEW ST2108 Replacement Surgical Blades for the Stryker® System 6 Sagittal Saw. The ST2108 & ST4000 Series Blades are designed and manufactured to the strictest specifications giving you optimum cutting performance while meeting the increasing demands of the Operating Theatre.



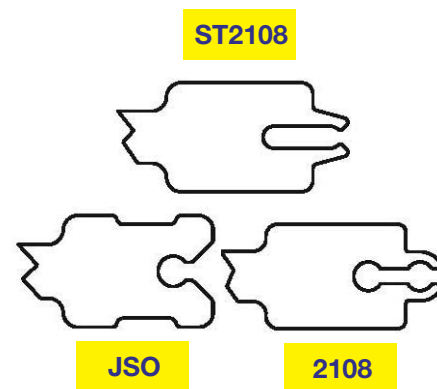
Illustrations not to scale



Judd Medical Prefix ST2108 is only compatible with the Series 6 Drill System

# Series **ST2108** Replacement Blades

## Optimum Cutting Performance



STRYKER® Reference	JUDD Ref SERIES 6	JUDD Ref SERIES 4 & 5	BLADE DIMENSIONS
2108-100	ST2108-100	JSO-600	73.0mm x 25.0mm x 0.64mm
2108-102	ST2108-102	JSO-602	89.5mm x 25.0mm x 0.89mm
2108-105	ST2108-105	JSO-605	73.0mm x 25.0mm x 0.89mm
2108-109	ST2108-109	JSO-609	84.5mm x 21.0mm x 0.89mm
2108-110	ST2108-110	JSO-610	73.0mm x 25.0mm x 1.24mm
2108-111	ST2108-111	JSO-611	79.5mm x 25.0mm x 1.24mm
2108-115	ST2108-115	JSO-615	73.0mm x 18.5mm x 0.76mm
2108-118	ST2108-118	JSO-618	79.5mm x 25.0mm x 1.24mm
2108-120	ST2108-120	JSO-620	60.5mm x 18.5mm x 0.64mm
2108-125	ST2108-125	JSO-625	47.5mm x 40.5mm x 0.64mm
2108-131	ST2108-131	JSO-631	47.5mm x 17.5mm x 0.64mm
2108-140	ST2108-140	JSO-640	58.0mm x 29.0mm x 0.64mm
2108-145	ST2108-145	JSO-645	24.0mm x 9.0mm x 0.64mm
2108-148	ST2108-148	JSO-648	34.5mm x 9.0mm x 0.64mm
2108-150	ST2108-150	JSO-650	73.0mm x 12.5mm x 0.64mm
2108-151	ST2108-151	JSO-651	85.0mm x 25.0mm x 1.19mm
2108-152	ST2108-152	JSO-652	81.5mm x 12.5mm x 0.19mm
2108-155	ST2108-155	JSO-655	73.0mm x 12.5mm x 1.24mm
2108-156	ST2108-156	JSO-656	79.5mm x 12.5mm x 1.24mm
2108-158	ST2108-158	JSO-658	81.5mm x 12.5mm x 1.27mm
2108-160	ST2108-160	JSO-660	73.0mm x 25.0mm x 0.89mm
2108-175	ST2108-175	JSO-675	60.5mm x 9.5mm x 0.64mm
2108-176	ST2108-176	JSO-676	79.5mm x 25.0mm x 1.5mm
2108-177	ST2108-177	JSO-677	86.5mm x 25.0mm x 1.32mm
2108-182	ST2108-182	JSO-682	83.5mm x 18.5mm x 1.24mm
2108-183	ST2108-183	JSO-683	83.5mm x 29.0mm x 1.24mm
2108-185	ST2108-185	JSO-685	104.0mm x 8.5mm x 1.24mm
2108-189	ST2108-189	JSO-689	81.5mm x 25.0mm x 1.27mm
2108-193	ST2108-193	JSO-693	81.5mm x 25.0mm x 1.04mm
2108-195	ST2108-195	JSO-695	90.0mm x 48.5mm x 0.96mm
2108-197	ST2108-197	JSO-697	61.0mm x 48.5mm x 0.64mm
2108-218	ST2108-218	JSO-619	98.5mm x 25.0mm x 1.24mm

Replacement Bur & Blade Catalogue available on request

Contact our **CUSTOMER SERVICE TEAM**

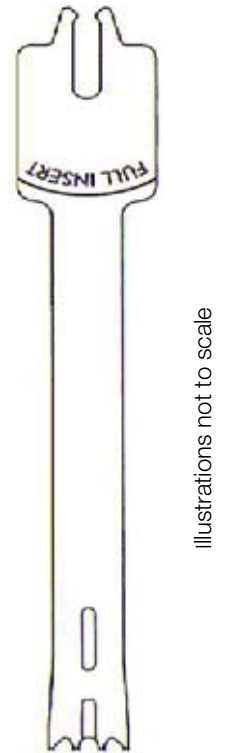
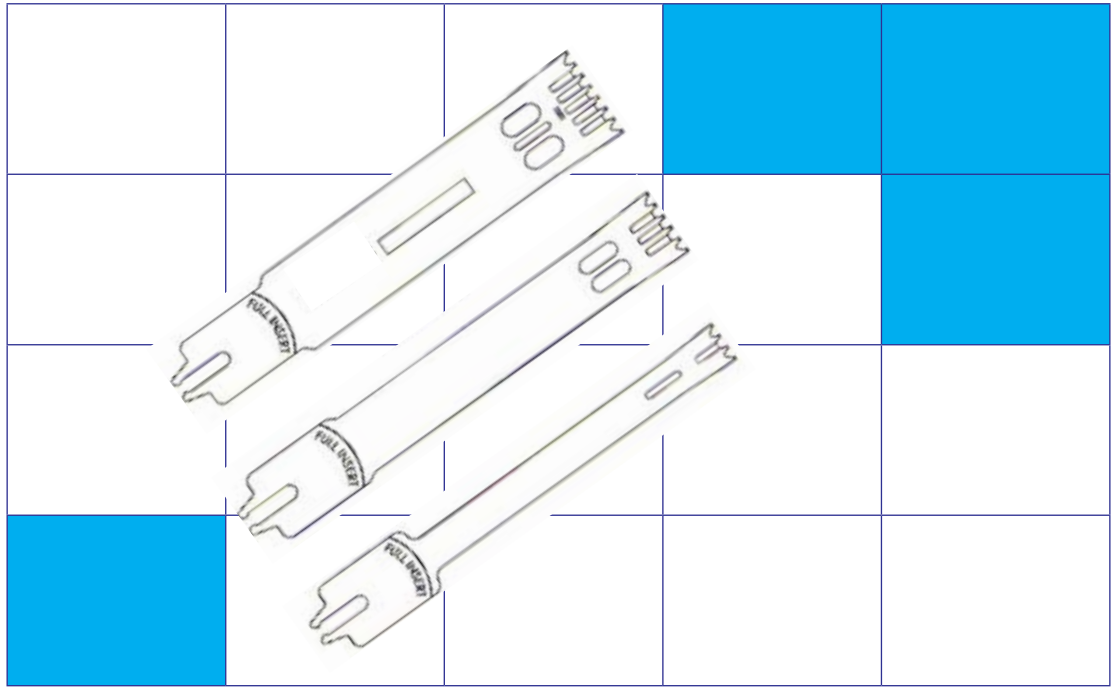
**+44(0)1527 559010**

# Series ST4000 Replacement Dual Cut Blades for Stryker® System 6 Sagittal Saw

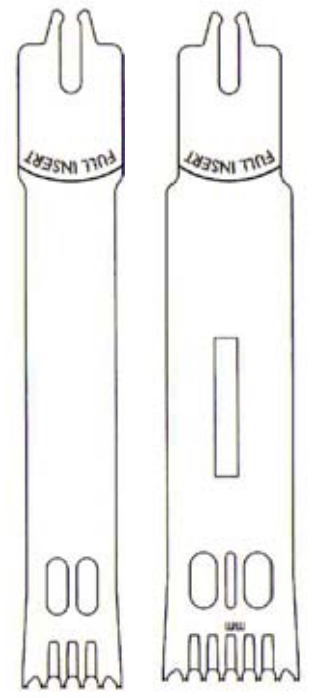
Optimum Cutting Performance



Judd Medical Limited is proud to introduce our NEW ST4000 Series Dual Cut Replacement Surgical Blades for the Stryker® System 6 Sagittal Saw. The ST4000 Series Blades are designed and manufactured to the strictest specifications giving you optimum cutting performance while meeting the increasing demands of the Operating Theatre.



Illustrations not to scale



STRYKER® Reference	JUDD Ref SERIES 6	JUDD Ref SERIES 4 & 5	BLADE DIMENSIONS
4111-127-090	ST4111-127-090	JMX-802	90.0mm x 11.0mm x 1.27mm
4118-089-090	ST4118-089-090	JMX-810	90.0mm x 18.0mm x 0.89mm
4118-127-090	ST4118-127-090	JMX-811	90.0mm x 18.0mm x 1.27mm
4118-135-090	ST4118-135-090	N/A	90.0mm x 18.0mm x 1.35mm
4118-137-090	ST4118-137-090	N/A	90.0mm x 18.0mm x 1.37mm
4125-089-075	ST4125-089-075	JMX-822	75.0mm x 25.0mm x 0.89mm
4125-127-090	ST4125-127-090	JMX-823	90.0mm x 25.0mm x 1.27mm
4125-127-100	ST4125-127-100	JMX-821	100.0mm x 25.0mm x 1.27mm
4125-135-090	ST4125-135-090	JMX-824	90.0mm x 25.0mm x 1.35mm

Judd Medical Prefix ST4000 is only compatible with the Series 6 Dual Cut Blades Drill System

For further details on our range of Replacement Burs & Blades  
 Contact our **CUSTOMER SERVICE TEAM TEL: +44(0)1527 559010**